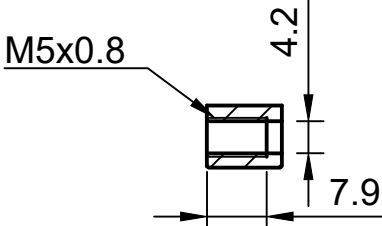
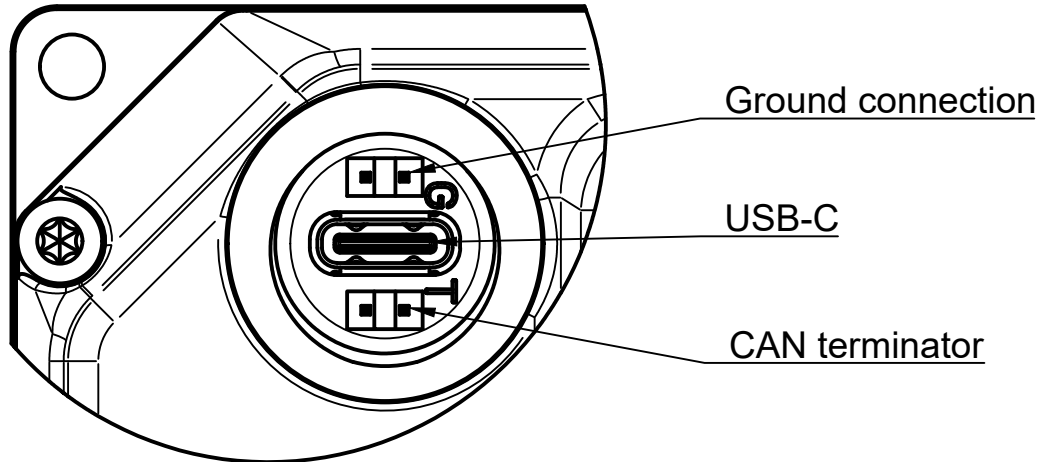


IP information  
 - With USB cover and superseal - IPX7  
 - without superseal IP40  
 - without USB cover IP40

A-A (1:1)



5x M6x1  
 MAX 13mm screw length



**PRELIMINARY**

MATERIAL:			NAME:	DATE:
WEIGHT:	1kg		DRAWN:	Matous Cmelik
PROJECTION:	[ISO E]		CHECKED:	18.05.2021
ACCURACY:				
TOLERANCE:				
	PART NAME:	SX controller		Size A3
	PROJECT:	SX controller		Scale 1:1
			Rev	List
			1	1/1